

AT831R

MINIATURE CARDIOID CONDENSER MICROPHONE

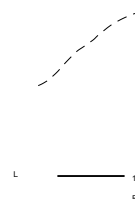
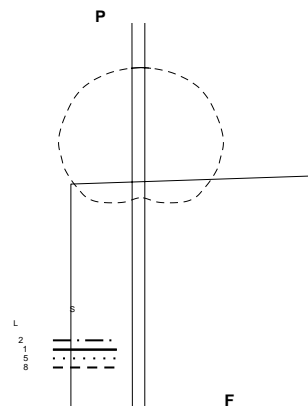


-
-
a
-
n
-
i
-
F
b
m
p
T
w
p
o
A
s
O
i
2
p
T
m

An integral 80 Hz high-pass UniSteep filter provides easy switching from a flat frequency response to a low-end roll-off. The roll-off position reduces the microphone's sensitivity to popping in close vocal use. It also reduces the pickup of low-frequency ambient noise (such as traffic, air-handling systems, etc.), room reverberation and mechanically coupled vibrations.

The microphone is RoHS compliant—free from all substances specified in the EU directive on hazardous substances.

Avoid leaving the microphone in the open sun or in areas where temperatures exceed 43°C for extended periods. Extremely high humidity should also be avoided.



AT831R



40-16,000 Hz	
-42 dB (7.9 mV)	1V 1 Pa
141 dB SPL, 1 kHz 1% T.H.D	
80 Hz, 18 dB/octave	
()	112 dB, 1 kHz
65 dB, 1V 1 Pa	
11-52V, 2 mA	
()	

25.0 mm -	10.2 mm -
92.9 mm -	18.9 mm -
XLRM-3	
4.0 m -	3.2 mm -

- UniSteep

150mm

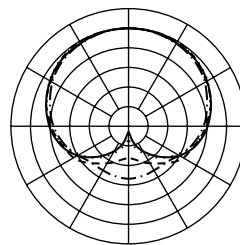
11V 52V

XLRM

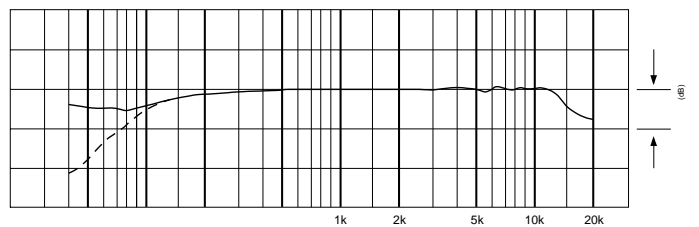
)

UniSteep
80 Hz

)



200 Hz - - - - -
1 kHz -
5 kHz - - - - -
8 kHz - - - - -



(MTS30a)