





# ATCS-50

|       |          |    |
|-------|----------|----|
| 1.1   | .....    | 3  |
| 1.2   | .....    | 3  |
| 2.1   | .....    | 5  |
| 2.2   | .....    | 6  |
| 2.2.1 | .....    | 6  |
| 2.2.2 | .....    | 7  |
| 2.2.3 | .....    | 7  |
| 2.3   | .....    | 8  |
| 2.4   | .....    | 9  |
| 2.5   | .....    | 10 |
| 2.5.1 | .....    | 10 |
| 2.5.2 | .....    | 10 |
| 3.1   | .....    | 11 |
| 3.2   | ID ..... | 11 |
| 3.3   | .....    | 12 |
| 3.4   | .....    | 12 |
| 3.4.1 | .....    | 12 |
| 3.4.2 | .....    | 13 |
| 3.4.3 | .....    | 13 |
| 3.5   | .....    | 14 |
| 3.5.1 | .....    | 14 |
| 3.5.2 | .....    | 14 |
| 3.5.3 | .....    | 14 |

|       |                     |    |
|-------|---------------------|----|
| 4.1   | .....               | 15 |
| 4.1.1 | (            )..... | 15 |
| 4.1.2 | (            )..... | 15 |
| 4.1.3 | .....               | 16 |
| 4.1.4 | .....               | 16 |
| 4.1.5 | (            )..... | 17 |
| 4.1.6 | (            )..... | 17 |
| 5.1   | .....               | 18 |
| 5.1.1 | .....               | 18 |
| 5.1.2 | .....               | 18 |
| 5.2   | .....               | 18 |
| 6.1   | .....               | 19 |
| 6.2   | .....               | 19 |
| 6.3   | .....               | 19 |
| 6.4   | .....               | 19 |
| 6.5   | .....               | 20 |
| 7.1   | .....               | 21 |
| 7.2   | .....               | 21 |

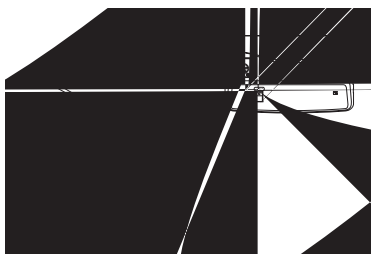
---

---

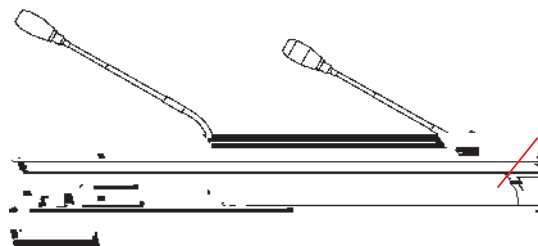
---

---

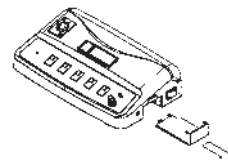
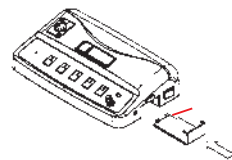
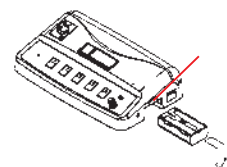
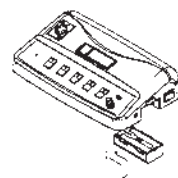
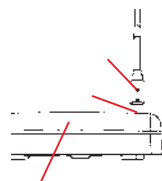


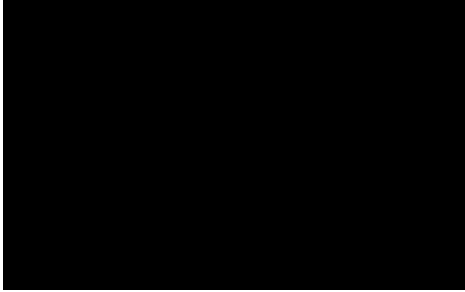


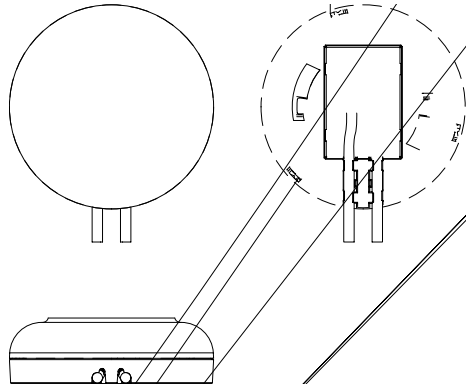


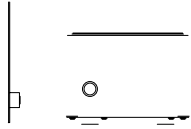


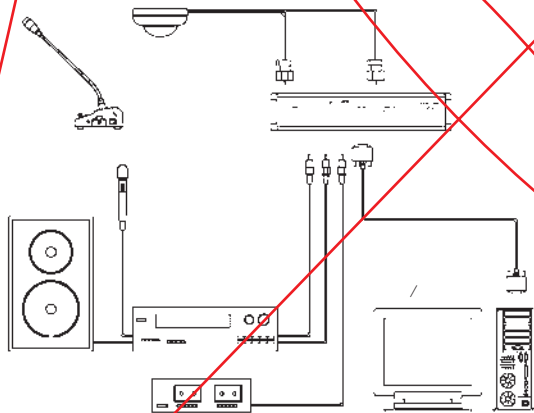
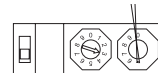
“ ”

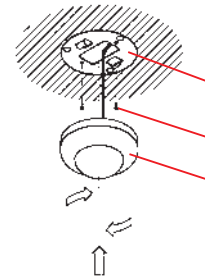
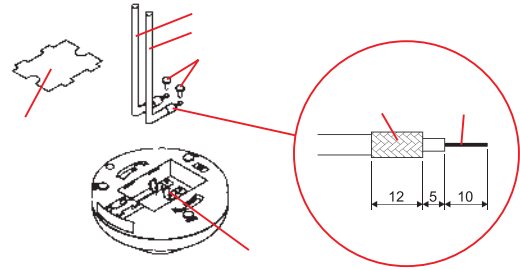
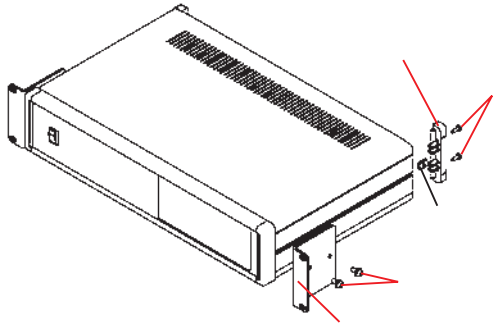


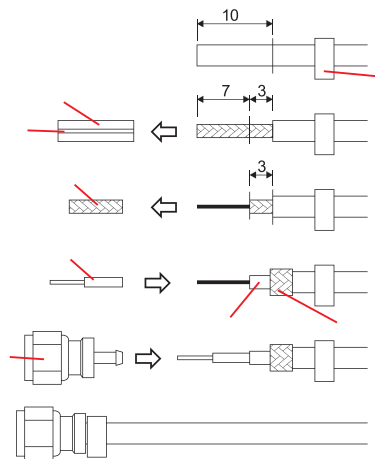
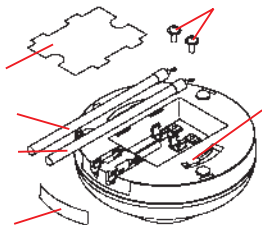






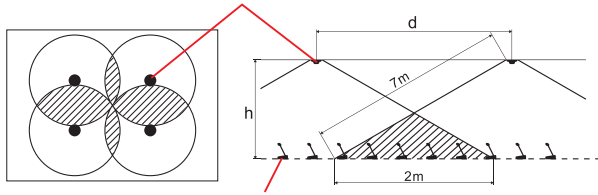
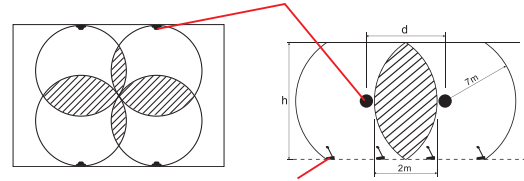






-----  
-----



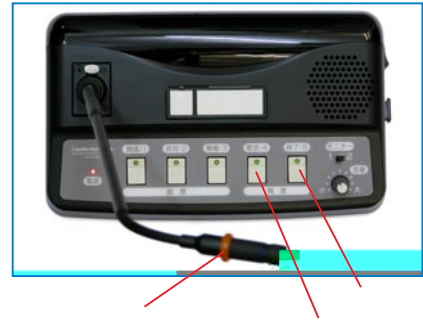




( )



( )



( )

主







,

,



---



---