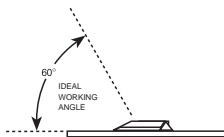


U843R MULTIDIRECTIONAL CONDENSER BOUNDARY MICROPHONE



- U843R is ideal for a variety of video and audio conferencing application, especially when used with an Audio-Technica automatic SmartMixer™.
- Small-diameter UniPoint capsule near boundary eliminates phase distortion and delivers clear, high-output performance.
- UniGuard™ RFI-shielding technology offers outstanding rejection of radio frequency interference (RFI).
- Heavy die-cast case and non-slip silicon foam bottom pads minimize coupling of surface vibration to the microphone.
- Low-profile design with low-reflectance finish for minimum visibility.

The microphone requires 11V to 52V DC phantom power for operation and should be placed on a flat, unobstructed mounting surface, with the front of the microphone facing the sound source. The sound source should not be below, or higher than 60° above, the plane of the mounting surface.



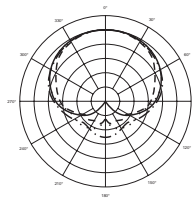
Output from the microphone is low impedance (Lo-Z) balanced. For U843R, the appears across the pair of colour wires (red and yellow wires for Ch1, white and blue wires for Ch2, and green and brown wires for Ch3); audio ground is the shield connection. Output is phased so that positive acoustic pressure produces positive voltage on the yellow, green and white wires.

Avoid leaving the microphone in the open sun or in areas where temperatures exceed 43°C for extended periods. Extremely high humidity should also be avoided.

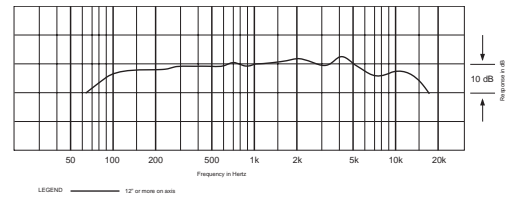
Optional Accessories:

- AT8506 four-channel 48V phantom power supply (AC powered).
- AT8801/EU single-channel 48V phantom power supply (AC powered).

Polar Pattern - Each Channel



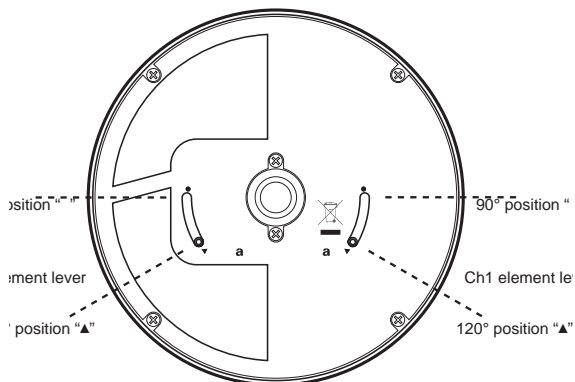
Frequency Response - Each Channel



LEGEND
 200 Hz - - - - -
 1 kHz - - - - -
 5 kHz - - - - -
 8 kHz - - - - -

For U843R applications that require the microphone to adjust the elements for omnidirectional (3 channels combination with 120° angle divided) or bidirectional (Ch1 and Ch2 combination with 90° angle divided) configuration.

For correct orientation, position the microphone so the brand name of "audio-technica" is Ch3, "●" marks are 90° position of Ch1 and Ch2, "▲" marks are 120° position of Ch1 and Ch2.



- | | | | |
|------------------|-------------------------|---------------------|---------------------|
| For wire color - | shield wire - grounding | blue - Ch2 hot(+) | brown - Ch3 hot(+) |
| | yellow - Ch1 hot(+) | white - Ch2 cold(-) | green - Ch3 cold(-) |
| | red - Ch1 cold(-) | | |

