



# Contents

Important Safety Information .....	3
EC - Declaration of Conformity .....	5
1.0 Welcome .....	6
1.1 Features .....	6
1.2 Front Panel Controls & Indicators .....	7
1.3 Rear Panel Controls & Connectors (VMA160, VMA1120, VMA1240) .....	8
1.4 Rear Panel Controls & Connectors (VMA260 & VMA2120) .....	9
2.0 Setup .....	10
2.1 Unpacking Your Amplifier .....	10
2.2 Installing Your Amplifier .....	10
2.3 Ensuring Proper Cooling .....	13
2.4 Choosing Input Wire & Connectors .....	13
2.5 Output Wiring & Connectors .....	14
2.6 Wiring Your Audio System .....	15
2.7 Connecting to AC Mains .....	16
2.8 Protecting Your Speakers .....	16
2.9 Startup Procedure .....	16
3.0 Operation .....	17
3.1 Precautions .....	17
3.2 Input Routing .....	18
3.3 Configuration Settings .....	18
3.3.1 70V/100V Output Selection .....	18
3.3.2 Chime Function .....	18
3.3.3 Line/Mic Gain Switch .....	18
3.3.4 Phantom Power .....	18
3.4 VOX Function .....	19
3.5 Priority Muting .....	19
3.6 Remote Volume Control .....	19
3.7 Media Player .....	20
3.7.1 Bluetooth Operation .....	20
3.7.2 USB Operation .....	20
3.7.3 Additional Media Player Information .....	21
3.7.4 Firmware Upgrade Procedure .....	21
4.0 Troubleshooting .....	22
Appendix A: Target Performance Specifications .....	23
Appendix B: Block Diagrams .....	24
Appendix C: Contact Information .....	27

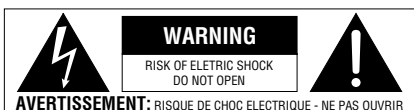
This manual does not include all of the details of design, production, or variation of the equipment. Nor does it cover every possible situation which may arise during installation, operation or maintenance.

The information provided in this manual was deemed accurate as of the publication date. However, updates to this information may have occurred.

Trademark Notice: JBL is registered trademark of JBL International. Crown and DriveCore are registered trademarks of Crown Audio. Other trademarks are the property of their respective owners.

© 2016 JBL Commercial, 10653 S. River Front Parkway, Suite 300 South Jordan, UT 84095, USA. All Rights Reserved.

# IMPORTANT SAFETY INFORMATION



**AVERTISSEMENT:** RISQUE DE CHOC ELECTRIQUE - NE PAS OUVRIR

**WARNING:** TO THE REDUCE THE RISK OF FIRE OR ELECTRIC SHOCK DO NOT EXPOSE THIS EQUIPMENT TO RAIN OR MOISTURE

The symbols shown above are internationally accepted symbols that warn of potential hazards with electrical products. The lightning flash with arrow point in an equilateral triangle means that there are dangerous voltages present within the unit. The exclamation point in an equilateral triangle indicates that it is necessary for the user to refer to the owner's manual.

These symbols warn that there are no user serviceable parts inside the unit. Do not open the unit. Do not attempt to service the unit yourself. Refer all servicing to qualified personnel. Opening the chassis for any reason will void the manufacturer's warranty. Do not get the unit wet. If liquid is spilled on the unit, shut it off immediately and take it to a dealer for service. Disconnect the unit during storms to prevent damage.

## SAFETY INSTRUCTIONS

NOTICE FOR CUSTOMERS IF YOUR UNIT IS EQUIPPED WITH A POWER CORD.

**WARNING:** THIS APPLIANCE SHALL BE CONNECTED TO A MAINS SOCKET OUTLET WITH A PROTECTIVE EARTHING CONNECTION.

The cores in the mains lead are colored in accordance with the following code:

GREEN and YELLOW - Earth    BLUE - Neutral    BROWN - Live

As colors of the cores in the mains lead of this appliance may not correspond with the colored markings identifying the terminals in your plug, proceed as follows:

- The core which is colored green and yellow must be connected to the terminal in the plug marked with the letter E, or with the earth symbol, or colored green, or green and yellow.
- The core which is colored blue must be connected to the terminal marked N or colored black.
- The core which is colored brown must be connected to the terminal marked L or colored red.

This equipment may require the use of a different line cord, attachment plug, or both, depending on the available power source at installation. If the attachment plug needs to be changed, refer servicing to qualified service personnel who should refer to the table below. The green/yellow wire shall be connected directly to the units chassis.

CONDUCTOR		WIRE COLOR	
		Normal	Alt
L	LIVE	BROWN	BLACK
N	NEUTRAL	BLUE	WHITE
E	EARTH GND	GREEN/YEL	GREEN

**WARNING:** If the ground is defeated, certain fault conditions in the unit or in the system to which it is connected can result in full line voltage between chassis and earth ground. Severe injury or death can then result if the chassis and earth ground are touched simultaneously.

## WARNING FOR YOUR PROTECTION READ THESE INSTRUCTIONS:

KEEP THESE INSTRUCTIONS

HEED ALL WARNINGS

FOLLOW ALL INSTRUCTIONS

THE APPARATUS SHALL NOT BE EXPOSED TO DRIPPING OR SPLASHING LIQUID AND NO OBJECT FILLED WITH LIQUID, SUCH AS VASES, SHALL BE PLACED ON THE APPARATUS

CLEAN ONLY WITH A DRY CLOTH.

DO NOT BLOCK ANY OF THE VENTILATION OPENINGS. INSTALL IN ACCORDANCE WITH THE MANUFACTURER'S INSTRUCTIONS.

DO NOT INSTALL NEAR ANY HEAT SOURCES SUCH AS RADIATORS, HEAT REGISTERS, STOVES, OR OTHER APPARATUS (INCLUDING AMPLIFIERS) THAT PRODUCE HEAT.

ONLY USE ATTACHMENTS/ACCESSORIES SPECIFIED BY THE MANUFACTURER.

UNPLUG THIS APPARATUS DURING LIGHTNING STORMS OR WHEN UNUSED FOR LONG PERIODS OF TIME.

Do not defeat the safety purpose of the polarized or grounding-type plug. A polarized plug has two blades with one wider than the other. A grounding type plug has two blades and a third grounding prong. The wide blade or third prong are provided for your safety. If the provided plug does not fit your outlet, consult an electrician for replacement of the obsolete outlet.

Protect the power cord from being walked on or pinched particularly at plugs, convenience receptacles, and the point where they exit from the apparatus.

Use only with the cart stand, tripod bracket, or table specified by the manufacture, or sold with the apparatus. When a cart is used, use caution when moving the cart/apparatus combination to avoid injury from tip-over. Refer all servicing to qualified service personnel. Servicing is required when the apparatus has been damaged in any way, such as power-supply cord or plug is damaged, liquid has been spilled or objects have fallen into the apparatus, the apparatus has been exposed to rain or moisture, does not operate normally, or has been dropped.



**POWER ON/OFF SWITCH:** For products provided with a power switch, the power switch DOES NOT break the connection from the mains.

**MAINS DISCONNECT:** The plug shall remain readily operable. For rack-mount or installation where plug is not accessible, an all-pole mains switch with a contact separation of at least 3 mm in each pole shall be incorporated into the electrical installation of the rack or building.

**FOR UNITS EQUIPPED WITH EXTERNALLY ACCESSIBLE FUSE RECEPTACLE:** Replace fuse with same type and rating only.

**MULTIPLE-INPUT VOLTAGE:** This equipment may require the use of a different line cord, attachment plug, or both, depending on the available power source at installation. Connect this equipment only to the power source indicated on the equipment rear panel. To reduce the risk of fire or electric shock, refer servicing to qualified service personnel or electrician.

If connected to 240V supply, a suitable CSA/UL certified power cord shall be used for this supply.

# IMPORTANT SAFETY INFORMATION

## **U.K. MAINS PLUG WARNING**

A molded mains plug that has been cut off from the cord is unsafe. Discard the mains plug at a suitable disposal facility. NEVER UNDER ANY CIRCUMSTANCES SHOULD YOU INSERT A DAMAGED OR CUT MAINS PLUG INTO A 13 AMP POWER SOCKET. Do not use the mains plug without the fuse cover in place. Replacement fuse covers can be obtained from your local retailer. Replacement fuses are 13 amps and MUST be ASTA approved to BS1362.

## **ELECTROMAGNETIC COMPATIBILITY**

This device complies with part 15 of the FCC Rules and the Product specifications noted on the Declaration of Conformity. Operation is subject to the following two conditions:

- This device may not cause harmful interference, and
- This device must accept any interference received, including interference that may cause undesired operation.

Operation of this unit within significant electromagnetic fields should be avoided.

- Use only shielded interconnecting cables.

## **USE GROUNDED OUTLET ONLY!**

Apparatet må tilkoples jordet stikkontakt

Apparaten skall anslutas till jordat uttag

Laite on liitettävä suojakoskettimilla varustettuun pistorasiaan

## **MAGNETIC FIELD**

**CAUTION!** Do not locate sensitive high-gain equipment such as preamplifiers or tape decks directly above or below the unit. Because this amplifier has a high power density, it has a strong magnetic field which can induce hum into unshielded devices that are located nearby. The field is strongest just above and below the unit.

If an equipment rack is used, we recommend locating the amplifier(s) in the bottom of the rack and the preamplifier or other sensitive equipment at the top.



If you want to dispose this product, do not mix it with general household waste. There is a separate collection system for used electronic products in accordance with legislation that requires proper treatment, recovery and recycling.

Private household in the 25 member states of the EU, in Switzerland and Norway may return their used electronic products free of charge to designated collection facilities or to a retailer (if you purchase a similar new one).

For Countries not mentioned above, please contact your local authorities for a correct method of disposal.

By doing so you will ensure that your disposed product undergoes the necessary treatment, recovery and recycling and thus prevent potential negative effects on the environment and human health.

## **FEDERAL COMMUNICATION COMMISSION INTERFERENCE STATEMENT**

This equipment has been tested and found to comply with the limits for a Class B digital device, pursuant to Part 15 of the FCC Rules. These limits are designed to provide reasonable protection against harmful interference in a residential installation. This equipment generates, uses and can radiate radio frequency energy and, if not installed and used in accordance with the instructions, may cause harmful interference to radio communications. However, there is no guarantee that interference will not occur in a particular installation. If this equipment does cause harmful interference to radio or television reception, which can be determined by turning the equipment off and on, the user is encouraged to try to correct the interference by one of the following measures:

- Reorient or relocate the receiving antenna.
- Increase the separation between the equipment and receiver.
- Connect the equipment into an outlet on a circuit different from that to which the receiver is connected.
- Consult the dealer or an experienced radio/TV technician for help.

## **FCC CAUTION**

Any changes or modifications not expressly approved by the party responsible for compliance could void the user's authority to operate this equipment.

This device complies with Part 15 of the FCC Rules. Operation is subject to the following two conditions:

1. This device may not cause harmful interference, and
2. This device must accept any interference received, including interference that may cause undesired operation.

## **IMPORTANT NOTE**

This equipment complies with FCC radiation exposure limits set forth for an uncontrolled environment. This transmitter module must not be collocated or operated in conjunction with any other antenna or transmitter. This End equipment should be installed and operated with a minimum distance of 20 centimeters between the radiator and your body.

## **CANADA STATEMENT**

This device complies with Industry Canada's licence-exempt RSSs. Operation is subject to the following two conditions:

1. This device may not cause interference; and
2. This device must accept any interference, including interference that may cause undesired operation of the device.

This device complies with Industry Canada's licence-exempt RSSs. Operation is subject to the following two conditions:

1. l'appareil ne doit pas produire de brouillage;
2. l'utilisateur de l'appareil doit accepter tout brouillage radioélectrique subi, même si le brouillage est susceptible d'en compromettre le fonctionnement.

## **CAUTION EXPOSURE**

This device meets the exemption from the routine evaluation limits in section 2.5 of RSS102 and users can obtain Canadian information on RF exposure and compliance.

Le dispositif répond à l'exemption des limites d'évaluation de routine dans la section 2.5 de RSS102 et les utilisateurs peuvent obtenir des renseignements canadiens sur l'exposition aux RF et le respect.

## **THE FINAL END PRODUCT MUST BE LABELLED IN A VISIBLE AREA WITH THE FOLLOWING**

The Industry Canada certification label of a module shall be clearly visible at all times when installed in the host device, otherwise the host device must be labelled to display the Industry Canada certification number of the module, preceded by the words "Contains transmitter module", or the word "Contains", or similar wording expressing the same meaning, as follows: "Contains transmitter module IC: 6132A-MB8811VMA"

This End equipment should be installed and operated with a minimum distance of 20 centimeters between the radiator and your body.

Cet équipement devrait être installé et actionné avec une distance minimum de 20 centimètres entre le radiateur et votre corps.

The end user manual shall include all required regulatory information/warning as shown in this manual.

# EC - DECLARATION OF CONFORMITY

**Brand:** JBL  
**Equipment Type:** Commercial Mixer-Amplifiers  
**Model names:** VMA160, VMA1120, VMA1240, VMA260, VMA2120

We, **Harman International**, declare under our sole responsibility that the product, to which this declaration relates, is in conformity with the following standards.

Report No.	Description
EN 55103-1:2009 +A1:2012	EMC Compatibility – Product Family Standard for Audio, Video, Audio-Visual and Entertainment Lighting Control Apparatus for Professional Use, Part 1: Emissions
EN 55103-1:2009 +A1:2012	Field Emissions – Annex A @ 10cm and 20cm
EN 61000-3-2:2014	Limits for Harmonic Current Emissions (equipment input current less than or equal to 16A)
EN 61000-3-3:2013	Limitation of Voltage Fluctuations and Flicker in Low-Voltage Supply systems Rated Current less than or equal to 16A
EN 55022:2010	Limits and Methods of Measurement of Radio Disturbance Characteristics of ITE: Radiated & Conducted, Class B Limits <del>(Limits for Harmonic Current Exc6(Cu)Tj11.0420 To</del> EMC Compatibility – Pro

m(siaIn/Burst ImmuniBionCuthraca B 160cm)EN-11.0423 Td(EN 614-5-3-2:2014)Tj11.0420 Su olImmuniBionCuthraca B 16A)

-3-2:2014rEEC, Harfor PofessioBuctuat)CE Disbur

**Due to line current harmonics, we recommend that you contact your supply authority before connection.**

We certify that the product identified above conforms to the requirements of the EMC Council Directive 89/336/EEC as amended by 92/31/EEC, and the Low Voltage Directive 73/23/EC as amended by 93/68/EEC.

## 1.0 Welcome

The JBL® VMA Series of Mixer-Amplifiers are professional tools designed and built for installed sound applications. There are both single channel and two channel models with five or eight mixer channels, respectively. They provide mixer capability with independent level control for each input channel and amplification with a choice of low impedance, 70V or 100V outputs.

The product includes a rack mounting kit for installations to a cabinet. Provisions are included for remote volume control using the JBL CSR-V control module.

## 1.1 Features

- 5 or 8 inputs with 1 or 2 outputs, respectively
- Ideal for commercial and industrial use
- Euroblock, RCA and TRS type input connectors available.
- Independent Bass and Treble controls for each output channel
- VOX ducking during announcements
- Remote volume control capability using JBL CSR-V module and standard ethernet cable
- Priority muting using PTT switch closure
- Configurable output routing
- Barrier block output connections to drive 8 Ohm, 70V or 100V speaker systems.
- 3 Year Warranty
- Media Player capable of playing MP3 files from Bluetooth or USB drive.

\*Warranty is only valid within the United States of America. For information on warranty outside of the U.S.A., please contact your local distributor.

## 1.2 Front Panel Controls & Indicators

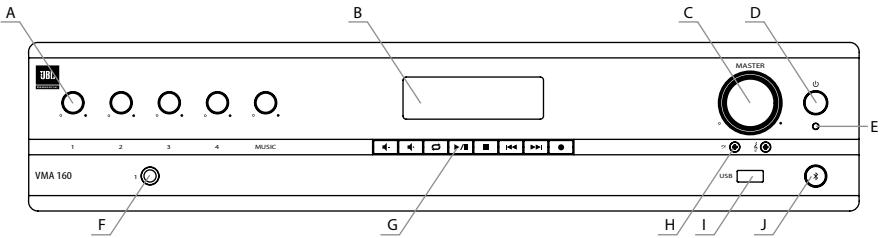
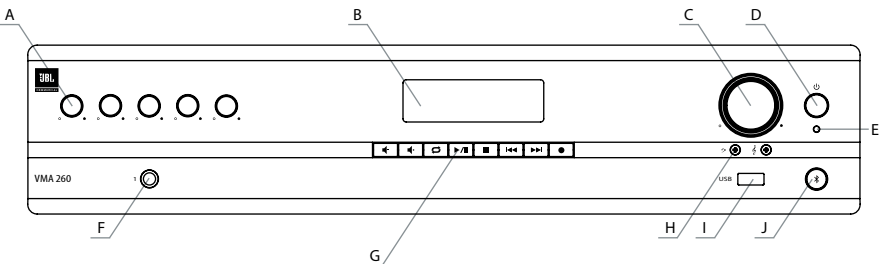


Figure 1.2.1 Front Panel, 1 Channel Model

- A. Input Level Controls
- B. Media Player Display
- C. Output Volume Control(s) Including an Illuminated ring around the output volume control will light green with signal presence while red indicates clipping, i.e. the signal has reached the threshold of audible distortion
- D. Power Switch
- E. Power on LED illuminates blue when power is switched on.
- F. Input 1 - Front panel audio input capability via 1/4" TRS connector. The two channel model includes a second, similar input (Input 4).
- G. Media Player Controls
- H. Tone Controls - Bass  $\text{♩}$  and Treble  $\text{♩}$  potentiometers for each output channel.
- I. USB Audio Input
- J. Bluetooth Key and Indicator







## **1.4 Rear Panel Controls & Connectors (VMA260 & VMA2120)**

---

## 2.0 Setup

### 2.1 Unpacking Your Amplifier

Please unpack and inspect your amplifier for any damage that may have occurred during transit. If damage is found, notify the transportation company immediately. Only you can initiate a claim for shipping damage. We will be happy to help as needed. Save the shipping carton as evidence of damage for the shipper's inspection.

We also recommend that you save all packing materials so you will have them if you ever need to transport the unit. Never ship the unit without the factory pack.

**WARNING:** Before you start to set up your amplifier, make sure you read and observe the Important Safety Instructions found at the beginning of this manual.

### 2.2 Installing Your Amplifier

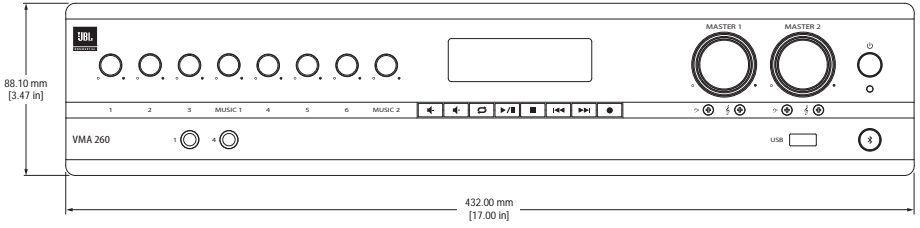
**CAUTION:** Before you begin, make sure your amplifier is disconnected from the power source and all level controls turned completely down (counterclockwise).

**Note:** We recommend that any sensitive equipment be located at least 8 inches (20 cm) away from the amplifier.

To install the amplifier, you can use one of the following approaches:

- Rack mount the amplifier with the rack mounting kit, see Figure 2.2.2.
- Place a single amplifier on a surface with 12 inches of air space around the unit for convection cooling. Rubber feet are included and can be attached onto the underside of the chassis. For amplifier dimensions, see Figure 2.2.1.

### FRONT VIEW



### SIDE VIEW

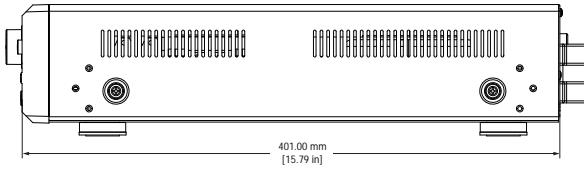
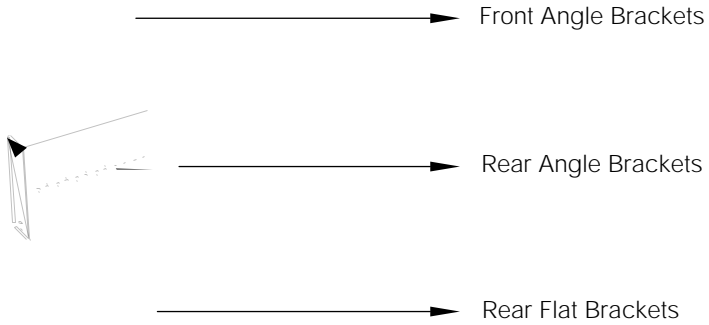


Figure 2.2.1 Dimensions





## 2.3 Ensuring Proper Cooling

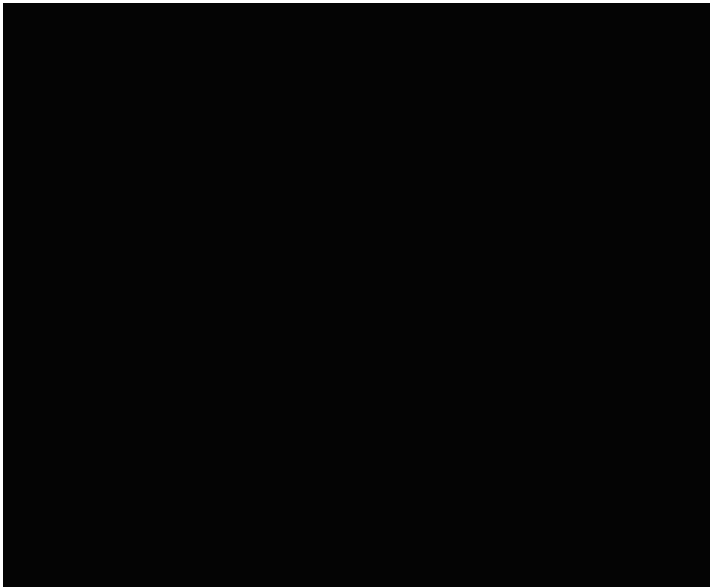
When using an equipment rack, keep a minimum space of 4 inches (10 cm) from the top surface of the unit. Close any open spaces in the rack with blank panels. DO NOT block any air vents. The side walls of the rack should be a minimum of 2 inches (5 cm) from the amplifier sides. The back of the rack should be open.

## 2.4 Choosing Input Wire & Connectors

We recommend using pre-built or professionally wired balanced line (two-conductor plus shield) 22-24 gauge cables to connect the amplifier balanced input by using the included Euroblock connectors, see Figure 2.4.1. Unbalanced lines may be used, but may result in hum or RF noise if using very long cable runs.

You can also use RCA connectors to connect audio devices, for example, CD/DVD player. However, do not use both Euroblock and RCA audio input connectors on a single channel at the same time.

**NOTE:** *Custom wiring should only be performed by qualified personnel.*



## 2.5 Output Wiring & Connectors

To drive distributed speaker systems designed to operate at 70V or 100V, connect to the corresponding output terminals.

JBL recommends using pre-built or professionally wired, high-quality, two-conductor, heavy gauge speaker wire. Speaker wires should be twisted cable, if possible. To prevent the possibility of short-circuits, the wires should be stripped back no greater than 6 mm (1/4 inch), see Figure 2.5.1.

Suggested below are guidelines to select the appropriate size of wire based on the distance from amplifier to speaker. Check with local code as this may vary.

Distance	Wire Size
Up to 25 ft. (7.6m)	16AWG
26-40 ft. (7.9-12.2m)	14AWG

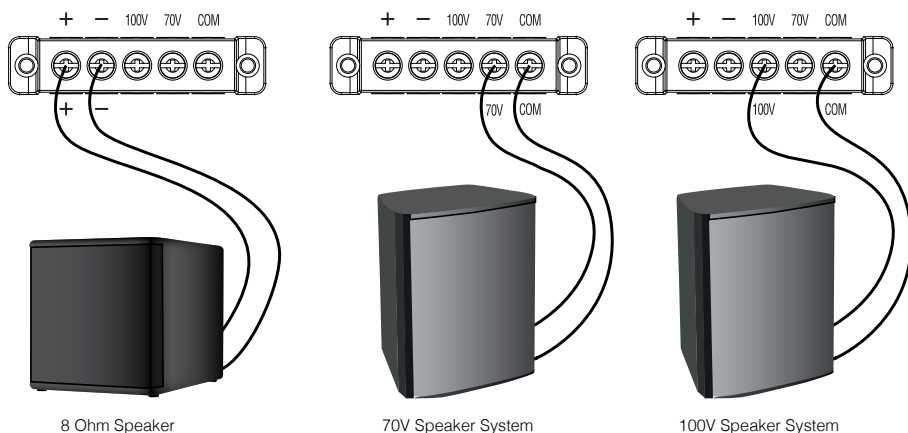
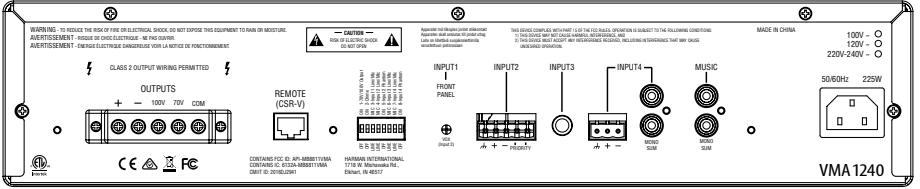


Figure 2.5.1 Output Wiring

# 2.6 Wiring Your Audio System



---

## 2.7 Connecting to AC Mains

Connect your amplifier to the AC mains power source (power outlet) with the supplied AC power cord. First, connect the IEC end of the cord set to the IEC connector on the amplifier; then, plug the other end of the cord set to the AC mains. When properly connected to a live power source, the power LED should illuminate blue.

**WARNING:** *The third prong of this connector (ground) is an important safety feature. Do not attempt to disable this ground connection by using an adapter or other methods.*



## 3.0 Operation

### 3.1 Precautions

Your amplifier is protected from internal and external faults, but you should still take the following precautions for optimum performance and safety:

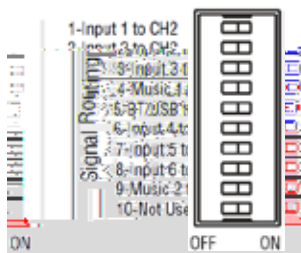
1. Before use, your amplifier first must be configured for proper operation, including input and output wiring hookup. Improper wiring can result in serious operating difficulties.

For information on wiring and configuration, please consult the Setup section of this manual.

2. Use care when making connections, selecting signal sources and controlling the output level.
3. Always be sure to have all levels at minimum when connecting or disconnecting audio sources from the inputs, especially when MIC is selected from the MIC/LINE switch. Failure to do so may cause the amplifier or speaker to go into a protection mode or even cause damage.
4. **WARNING:** Never connect the output to a power supply, battery or power main. Electrical shock may result.
5. Tampering with the circuitry, or making unauthorized circuit changes may be hazardous and invalidates all agency listings.
6. Do not operate the amplifier with the red Clip LEDs constantly flashing.
7. Do not overdrive the mixer, which will cause clipped signal to be sent to the amplifier. Such signals will be reproduced with extreme accuracy, and loudspeaker damage may result.
8. Do not operate the amplifier with less than the rated load impedance. Due to the amplifier's output protection, such a configuration may result in premature clipping and speaker damage.
9. Use the amplifier in a well-ventilated environment and do not use it in ambient temperature conditions in excess of 40°C. Failure to do so will result in the automatic disconnection from the power supply as the overheat auto protection function will be activated and there will not be any audio signal coming out of the amplifier. In this case, turn down the volume to the minimum, and the amplifier will soon resume working. When the amplifier returns to normal temperature you may turn the volume up to a safe level.
10. If the line voltage to the amplifier is too low, the low voltage protection function will be activated.

**CAUTION: JBL is not liable for damage that results from overdriving other system components.**

## 3.2 Input Routing



The two-channel models, VMA260 and VMA2120, include a default routing of Input channels 1-3, Music 1 and the Bluetooth/USB source to amplifier 1. Input channels 4-6 and Music 2 are routed to amplifier 2. The user may take any input and have it routed to both outputs by selecting the appropriate switch. For example, if you set switch 1 to ON, Input 1 will be routed to both AMP1 and AMP2.

## 3.3 Configuration Settings

A DIP switch is available for each output channel to configure the unit to your specific system.

### 3.3.1 70V/100V Output Selection

When this switch is in the “OFF” position, the amplifier is configured to drive low impedance speakers, (4 Ohms ,minimum) The 70V/100V switch will activate the built-in output transformer allowing the unit to directly drive 70V or 100V speaker systems when connected to the appropriate output terminals. As an added feature when driving the high impedance speakers, the system automatically apply a 70Hz high pass filter.

### 3.3.2 Chime Function

Turning chime ON will enable a chime sound at the onset of an announcement when priority muting is invoked. (See section 3.5, Priority Muting, on the following page.)

CH1 Settings	1-70V/100V Output	OFF	<input type="checkbox"/>	ON
	2-Chime	OFF	<input type="checkbox"/>	ON
	3-Input 1 Line/Mic	LINE	<input type="checkbox"/>	MIC
	4-Input 2 Line/Mic	LINE	<input type="checkbox"/>	MIC
	5-Input 2 Phantom	OFF	<input type="checkbox"/>	ON
	6-Input 3 Line/Mic	LINE	<input type="checkbox"/>	MIC
	7-Input 3 Phantom	OFF	<input type="checkbox"/>	ON
	8-Not Used	NC	<input type="checkbox"/>	NC

### 3.3.3 Line/Mic Gain Switch

Additional gain is available for use with sources, in particular microphones, that have low output levels. Switching to MIC position activates 48dB additional gain. Use only when necessary as the added gain may cause higher noise levels.

### 3.3.4 Phantom Power

Phantom power (27V) can be applied to specific mic inputs by turning on the appropriate Phantom Power switch.

### 3.4 VOX Function

Voice activated ducking is available on input channel 2 of the VMA160, VMA1120 and VMA1240. The feature is available for both input channels 2 and 5 of the VMA260, and VMA2120. The audio input level required to activate ducking is set using the trim pot on the rear panel. Adjusting in the counterclockwise direction will reduce that level while the full clockwise setting will disable the VOX function.

### 3.5 Priority Muting

VMA160, VMA1120 and VMA1240 may use Input channel 2 as a priority channel, muting all other channels when pins 4 and 5 are shorted using a switch closure.

The VMA260, and VMA2120 lets Input2 operate with priority over all inputs into output amplifier CH1. Similarly, Input5 can exercise priority over all inputs into output amplifier CH2. Input2 will have priority over both amplifiers CH1 and CH2 if the

## 3.7 Media Player

### 3.7.1 Bluetooth Operation

To activate Bluetooth, perform the following:

1. Press the Bluetooth Key until the Bluetooth Indicator begins to flash.
2. Enable Bluetooth of your source media player and search for "JBL COMMERCIAL (XX)". Establish a connection. (Note that the "XX" represents the last two digits of the MAC address which allows the user to have multiple systems in close proximity.)
3. Once connected, the Bluetooth Indicator will stop flashing and remain illuminated.
4. Press the VOLUME UP/VOLUME DOWN keys to increase or decrease the volume.
5. Press the NEXT key to jump to the beginning of the next track.
6. Press the PREVIOUS key once to jump to the beginning of the current track or twice to the previous track.
7. Press the STOP key to stop playing. **(Note:**  
.)
8. Press the PLAY/PAUSE key to pause or resume playing.
9. To disconnect, either press the Bluetooth Key or disable Bluetooth at the media player source device. **(Note:**  
.)
10. Press the REC key to start recording. **(Note:**  
.)

**Note:** *Bluetooth signal is muted when broadcasting the chime tone.*

### 3.7.2 USB Operation

1. Insert a USB Drive to the USB Audio Input and the number of folders and files on the USB Drive will be displayed.
2. Press PREVIOUS or NEXT Key to scroll the playable media.
3. Press the VOLUME UP/VOLUME DOWN keys to increase or decrease the volume.
4. Press the REPEAT Key to enter different repeat modes:
  - REPEAT CURRENT – Repeat the current track.
  - REPEAT ALL – Repeat all tracks.
  - REPEAT ALL 30Min Message – Play the track with the predefined name, "MESSAGE\_1.mp3" every 30 minutes while repeating all other tracks.

- REPEAT ALL 60Min Message – Play the track with the predefined name, "MESSAGE\_1.mp3" every 60 minutes while repeating all other tracks.
  - REPEAT OFF – No repeat.
5. Press the PLAY/PAUSE key to pause or resume playing.
  6. Press the STOP key to stop playing.
  7. Press the PREVIOUS Key once to jump to the beginning of the current track or twice to the previous track.
  8. Hold down the PREVIOUS Key to rewind.
  9. Press the NEXT Key to jump to the beginning of the next track.
  10. Hold down the NEXT Key to fast forward.
  11. Press the REC key to start recording. (**Note:**  
.)

### 3.7.3 Additional Media Player Information

Bluetooth playback will always have priority over USB.

The default media player volume is maximum.

USB and Bluetooth signals cannot be recorded.

While playing from the USB or Bluetooth source, the signal being played is interrupted momentarily when a chime tone is sounding in another channel.

Hidden functions are available by pressing and holding a media player key for more than 1 second then pressing and holding the Bluetooth key along with it.

- RECORD (>1s) + BT            Displays the BT MAC address
- STOP (>1s) + BT            Displays the firmware version
- PLAY (>1s) + BT            Illuminates all dots in the display
- REPEAT (>1s) + BT        Factory Reset

### 3.7.4 Firmware Upgrade Procedure

1. Place the firmware file "\*.mcs" onto a blank USB Drive.
2. Insert the USB Drive.
3. Display will show "USB UPGRADE".
4. Wait until display shows "USB SUCCESS" and the display turns off.
5. Power off the unit.
6. Remove the USB Drive.
7. Power on the unit, the upgrade procedure is finished.

---

## 4.0 Troubleshooting

**CONDITION: No power to the mixer-amplifier so that the power LED is not illuminated.**

POSSIBLE REASON: The mixer-amplifier is not plugged into the power outlet.

**CONDITION: No sound or low sound.**

POSSIBLE REASON: The input signal is not present or at a very low level.

POSSIBLE REASON: The Master Volume control is turned down.

POSSIBLE REASON: A CSR-V is connected and turned down.

POSSIBLE REASON: Mixer channel inputs are turned down.

POSSIBLE REASON: A Priority switch is closed, muting all except the priority input.

POSSIBLE REASON: The 70V/100V switch is OFF while using the 70V or 100V outputs.

**CONDITION: Distorted sound.**

POSSIBLE REASON: Input signal level is too high. Please turn down the input level controls. Note that the mixer-amplifier should not be operated at a level that allows the clip indicator (red ring around the Master Volume) to be constantly ON.

POSSIBLE REASON: Master Volume is too high.

POSSIBLE REASON: MIC/LINE switch is in MIC position when using a line level source.

## Appendix A: Target Performance Specifications

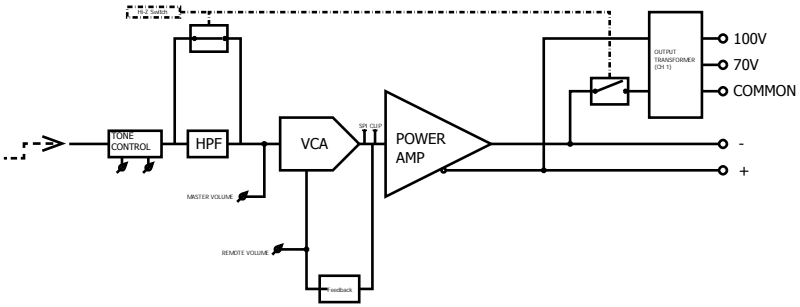
Performance	VMA160	VMA1120	VMA1240	VMA260	VMA2120
<b>Max Output Power per Channel</b> into 4 $\Omega$ or 8 $\Omega$ ; 1kHz, $\leq$ 0.5% THD	60W	120W	240W	60W	120W
<b>Insertion Loss</b> (70V & 100V outputs)	1 dB maximum				
<b>Number of Input Channels</b>	5	5	5	8	8
<b>Number of Output Channels</b>	1	1	1	2	2
<b>Tone Controls</b> (Bass and Treble non-detented potentiometers on each channel)	Bass +/-14dB @ 50Hz Treble +/-14dB @ 10kHz				
<b>Input Sensitivity</b> (to obtain full rated power into 8 $\Omega$ load)	Mic Input: 5.5mV <sub>RMS</sub> Line Input: 1.3V <sub>RMS</sub> RCA Input (stereo in): 130mV <sub>RMS</sub>				
<b>Frequency Response</b> (measured at 2.83V <sub>RMS</sub> into rated load impedance at any output)	4/8 $\Omega$ Output: 20Hz - 20kHz, +/-2dB 70V/100V Outputs: 80Hz - 15kHz +/-3dB				
<b>Total Harmonic Distortion (THD)</b> (measured at 2.83V <sub>RMS</sub> into rated load impedance at any output)	Power Amp Output: <0.5%, 20Hz - 20kHz				
<b>Signal-to-Noise Ratio</b> (Ref. Rated Power, mixer levels @ min., master volume @ max. A-weighted)	>76dB				
<b>Input Impedance</b> (nominal)	Mic: 400 $\Omega$ Line: 20 k $\Omega$ (balanced) RCA: 50 k $\Omega$				
<b>Phantom Power</b>	27VDC				
<b>Crosstalk</b> (reference rated power, volume at					

# Appendix B: Block Diagrams

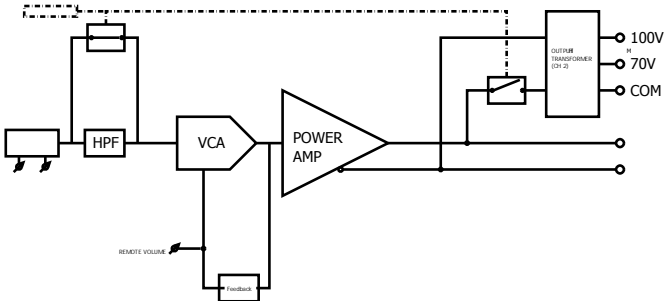
## VMA260 & VMA2120



### VMA260 & VMA2120 Continued

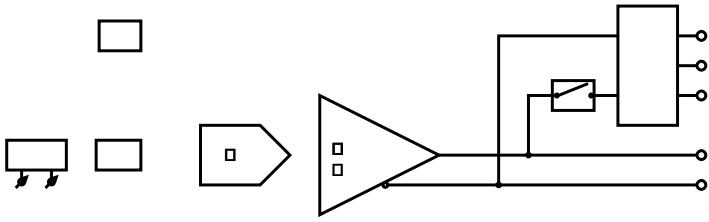
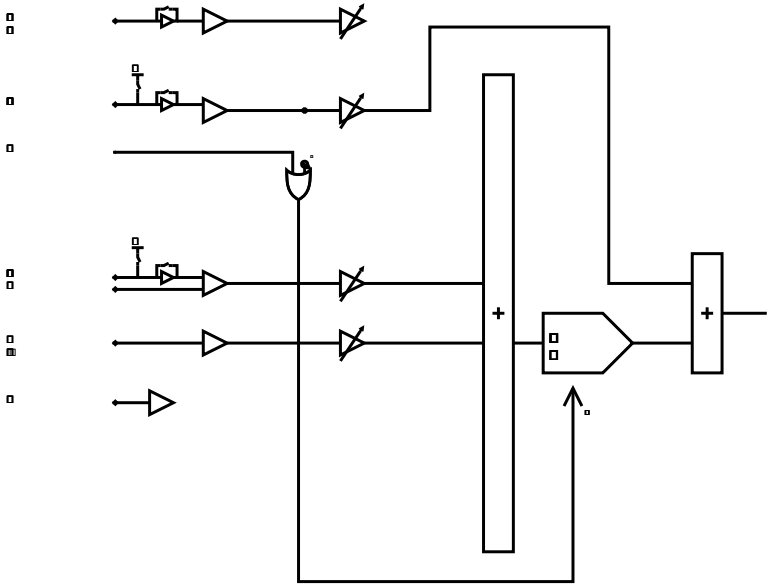


F H



F

### VMA160, VMA1120 & VMA1240



## Appendix C: Contact Information

For additional information, please consult JBL Professional Customer Service, your system installer or retailer.

### **On The World Wide Web:**

[www.jblcommercialproducts.com](http://www.jblcommercialproducts.com)

### **Professional Contacts, Outside the USA:**

Contact the JBL Professional Distributor in your area. A complete list of JBL Professional international distributors is provided at our U.S.A. Website: [www.jblpro.com](http://www.jblpro.com).

