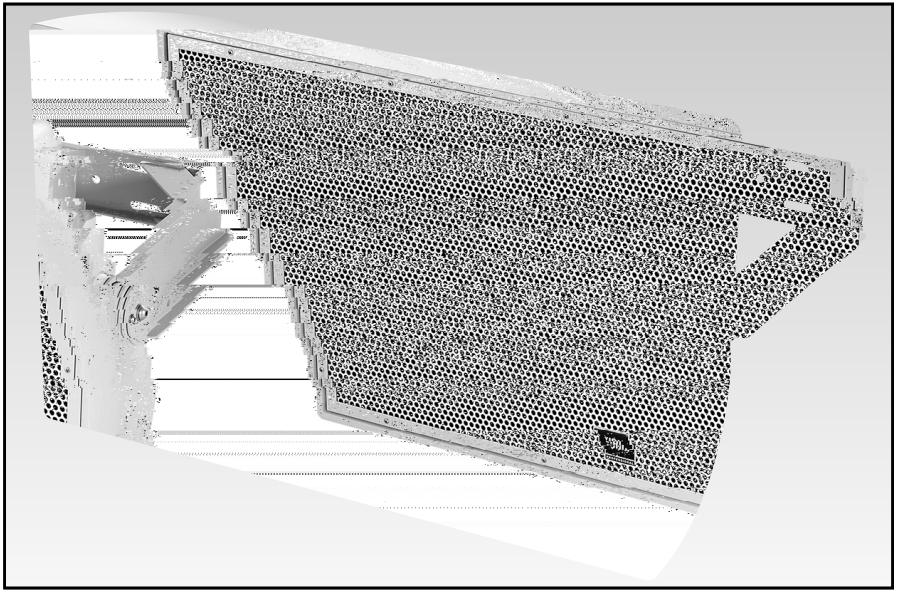


Professional Series

Key Features:

- ▶ Two-way, 2-15" LF & 2-12" HF drivers
- ▶ 54-24" (3.0° - 166°) rotatable horn
- ▶ 60 / 60 - 1000 Hz frequency range
- ▶ 2265H Durable Driver & 2432H High Power Driver
- ▶ 100% waterproof, stainless steel enclosure
- ▶ 15° to 166° rotatable horn
- ▶ 400 / 70 / 100 - 1000 Hz frequency range
- ▶ -15° to 166° rotatable horn



Applications:

- ▶ Stadiums
- ▶ Public address systems
- ▶ Professional sound reinforcement systems
- ▶ Live sound applications
- ▶ Industrial sites
- ▶ 566-LS - 2-Way, 15" LF & 12" HF Drivers
- ▶ 2265H 380 (15") Durable Driver & 2432H 380 (15") High Power Driver
- ▶ 60 / 60 - 1000 Hz frequency range
- ▶ 15° to 166° rotatable horn
- ▶ 400 / 70 / 100 - 1000 Hz frequency range
- ▶ -15° to 166° rotatable horn
- ▶ 166° rotatable horn
- ▶ 60 / 60 - 1000 Hz frequency range
- ▶ 2265H 380 (15") Durable Driver & 2432H 380 (15") High Power Driver
- ▶ 400 / 70 / 100 - 1000 Hz frequency range
- ▶ -15° to 166° rotatable horn
- ▶ 566-LS - 2-Way, 15" LF & 12" HF Drivers
- ▶ 2265H 380 (15") Durable Driver & 2432H 380 (15") High Power Driver
- ▶ 400 / 70 / 100 - 1000 Hz frequency range
- ▶ -15° to 166° rotatable horn

Specifications:

System:

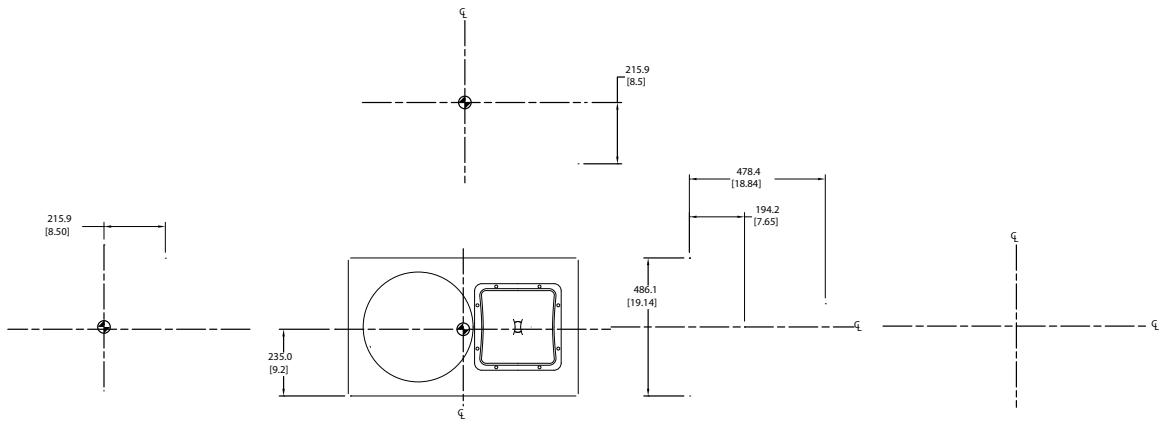
Frequency Range (10%):	42 Hz - 20 kHz
Frequency Range (3%):	89 Hz - 18 kHz
Impedance:	60 Ω, 60 Ω
Power Handling:	500 W (1000 W) 2000 W 4000 W
Thermal Resistance:	139 / 111 / 78 / 70
Time Constant:	93 / 91 / 64 / 52
Driver Type (LF):	15.8"
Driver Type (HF):	12"
Phase Shift:	1.1 H
Impedance (LF):	400 Ω (1600 Ω), 100 Ω
Impedance (HF):	127 Ω (133 Ω)
Impedance (@ 4):	114.24 Ω
Impedance (1 @ 1):	100 Ω
Impedance (1 @ 4):	89.6 Ω
70 / 100 Hz:	400 / 200 / 100
100 / 200 Hz:	400 / 200

Transducers:

Low Frequency Driver:	1 x 2265H 380 (15") Durable Driver, 75°
High Frequency Driver:	3 x 2432H 380 (15") High Power Driver, 75°
Impedance:	8 Ω
Phase Shift:	98°
High Frequency Driver:	2432H, 380 (15°) High Power Driver, 75° (3)
Impedance:	8 Ω
Phase Shift:	113°
Model:	-H66H-1

Physical:

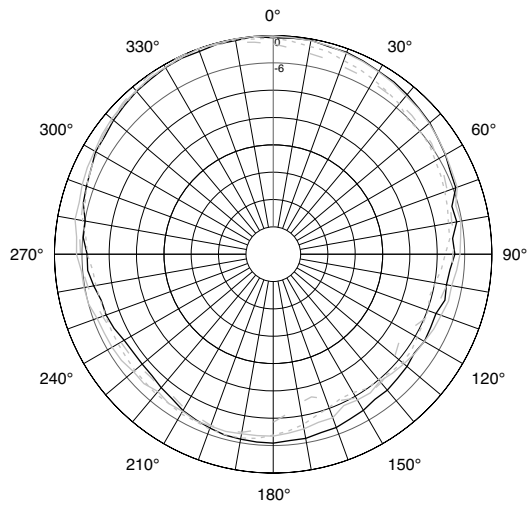
Depth:	420 mm (16.5")
Weight:	2 x 10 kg (44 lbs), 2 x 6 kg (13 lbs)
Mounting:	16-16 mm
Dimensions:	5.2 (10") x 9.1 (37.5") x 4.2 (16.5")
Dimensions:	55 x 529
Dimensions:	485 x 810 x 478
Dimensions:	(19.1 x 31.9 x 18.8)
Dimensions:	28.3 (62.5)
Dimensions:	6 x 100
Dimensions:	54-24" (3.0° - 166°) rotatable horn, 70 / 400 (35" LF, 70" HF), 100 / 400 (50" LF, 100" HF)
Dimensions:	100 / 400 (50" LF, 100" HF)



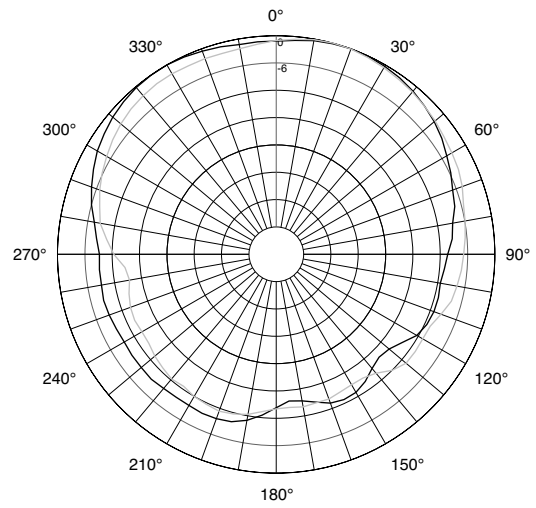
9) INDICATED DIMENSIONS ARE TO CENTER OF GRAVITY (CG)



Horizontal 1/3 Octave Polars



— 200 Hz
- - 250 Hz
... 315 Hz
- · - 400 Hz



— 500 Hz
- - 630 Hz

▶ AW566-LS High Power 2-Way All Weather Loudspeaker with 1 x 15" LF & Rotatable Horn

Vertical 1/3 Octave Polars

